

Fuser Oil Type 5000

(Code: G779)

For Machine Code: G071

MAINTENANCE GUIDE

Preparation

For a safe operation, read "Safety Information" in Maintenance Guide 1.

CAUTION:

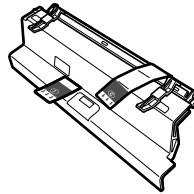
- *The inside of the machine becomes very hot. Do not touch the parts with a label indicating "⚠" (means hot surface). Touching "⚠" (means hot surface) could result in a burn.*
- *The fusing unit becomes very hot. When installing the new fusing unit, turn off the printer and wait about 30 minutes. After that, install the new fusing unit. Not waiting for the unit to cool down can result in a burn.*
- *Do not pull out the fusing unit forcefully. It may cause the unit to fall and result in an injury.*
- *When touching the fusing unit, do not touch any areas other than the handle as it may cause a burn.*

Replace the fuser oil unit when the following message appears on the panel display.

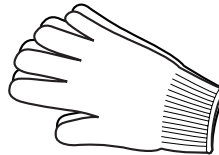
Replace
Fuser Oil Unit

Check the contents of the box for the following items:

❖ Fuser Oil Unit



❖ Gloves



❖ Disposal Bag

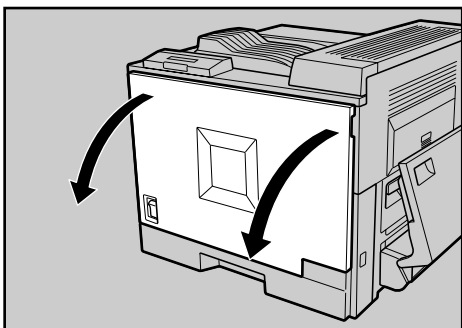
❖ Maintenance Guide (This manual)

1 Turn off the printer power.

Important

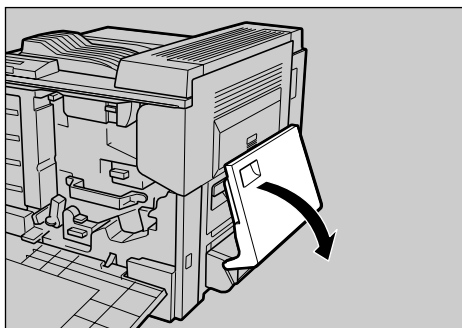
- To prevent a burn, be sure to wait about 30 minutes after the power is turned off until the fusing unit cools down before touching the fusing unit.

- 2** Open the front cover slowly by pulling down from the two areas on the left and right.



ZESH400J

- 3** Open the Bypass Tray.

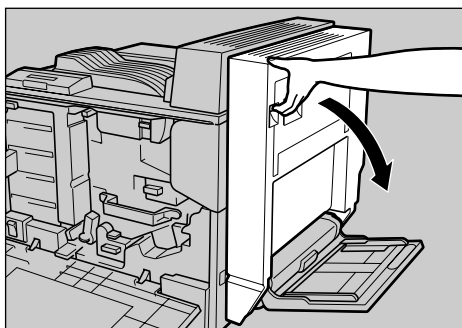


ZESH047J

 **Note**

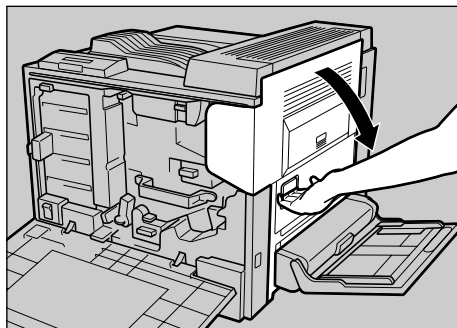
- Remove the paper on the Bypass Tray to prevent them from falling.

- 4** If the Duplex Unit is installed, open it by pushing the catch upwards.



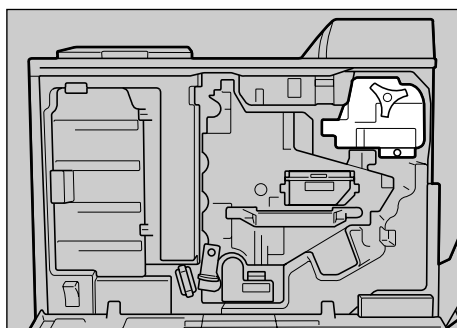
ZESH048J

- 5** Open the right cover of the printer by pushing up the handle.



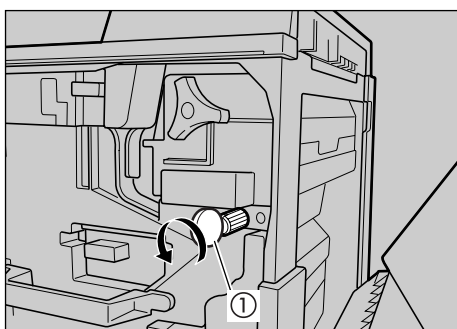
ZESH208J

The fuser oil unit is placed on the fusing unit shown in the illustration.



ZESH401J

- 6** Release the green screw that is fastening the fusing unit.



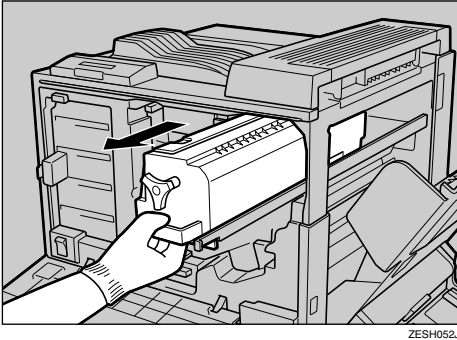
ZESH402E

 **Note**

- Use a coin (①) to release the screw.
- The screw cannot be detached.

7 Put on the supplied gloves.

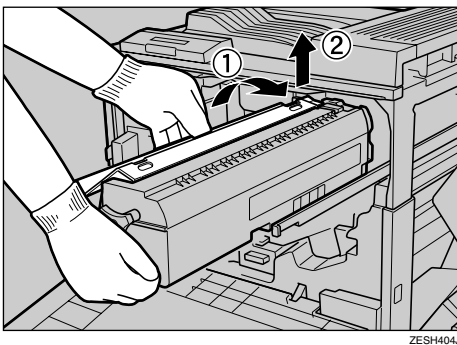
8 Holding the handle, pull the fusing unit slowly until it stops.



Note

- Pull out the fusing unit until the whole of it can be seen.

9 Hold the green part in the center of the fuser oil unit, and then remove it from the fusing unit by lifting it in the directions shown (① → ②).



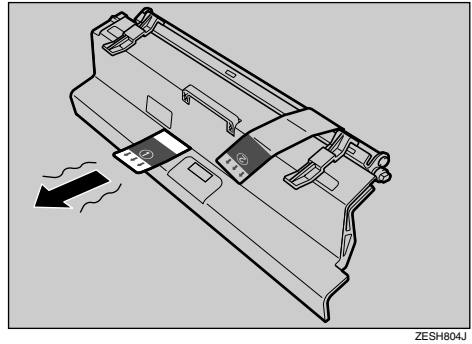
Important

- Be careful not to let oil on the fuser oil unit get in contact with your hands or clothes.

10 Put the removed fuser oil unit in the bag supplied.

11 Take out the new fuser oil unit from the bag. Remove the covering paper, the seals, and then the fitting.

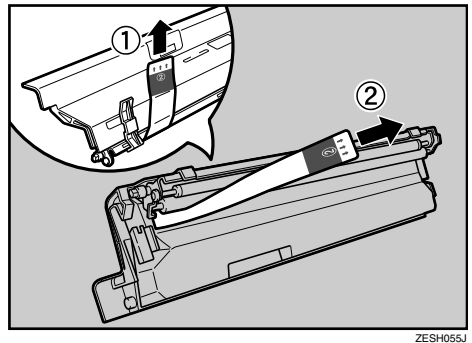
1 Remove the seal ① by shaking it to pull.



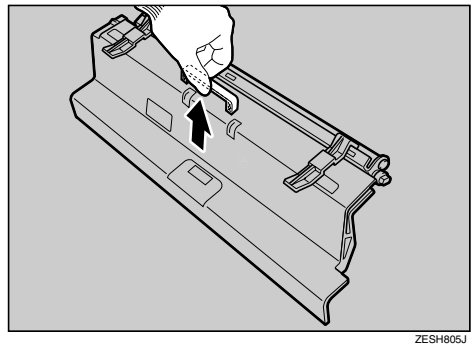
Note

- If you cannot remove it easily, pull it out with a little force.

2 Remove the seal ② slowly by turning the fuser oil unit.



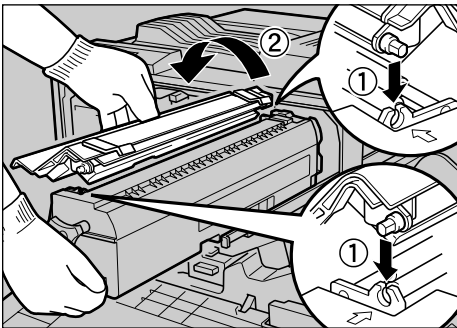
3 Remove the fitting.



⚠ Important

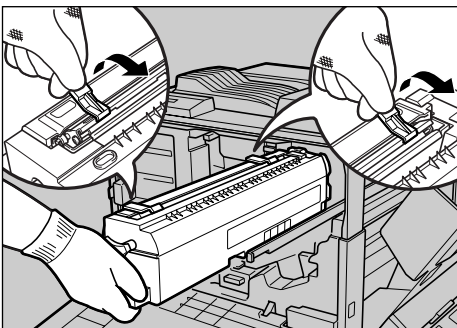
- ❑ Be sure to remove the seals to avoid a printer malfunction.
- ❑ Be sure to remove the seal ① first, and then remove the seal ② to avoid an oil leak.
- ❑ Be sure to put the fuser oil unit in a stable and level place to avoid an oil leak.
- ❑ Oil is on the seals and fusing oil roller after removal. Be careful not to get it on your hands or clothes.

12 Place the fuser oil unit on the fusing unit by aligning the arrows (①), and then set it in its place (②).



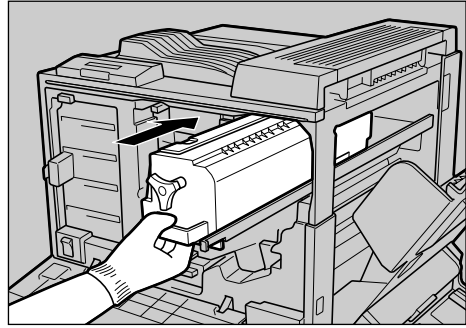
ZESH054J

13 Remove the two red fittings along with the tapes from the fuser oil unit.



ZESH056J

14 Holding the handle, insert the fusing unit slowly until it stops.

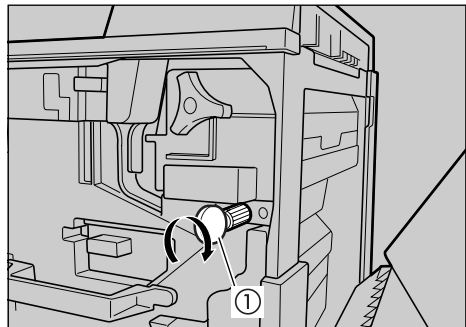


ZESH050J

⚠ Important

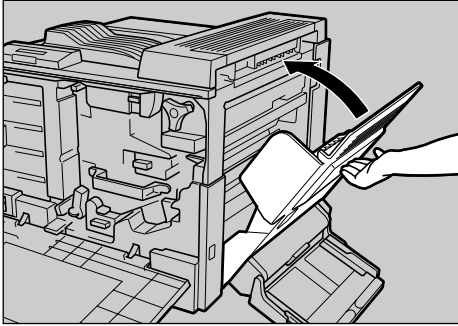
- ❑ Do not press the fusing unit forcefully into the printer, as it may cause a printer malfunction.

15 Fasten the green screw tightly using a coin (①).



ZESH520E

- 16** Close the right cover of the printer.

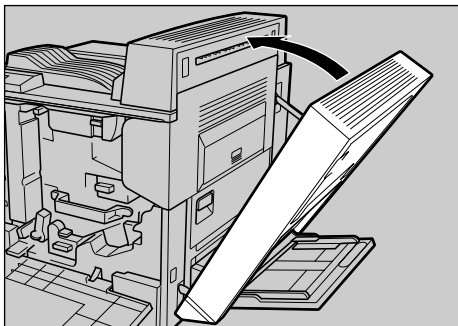


ZESH010J

Note

- Press "PUSH" to close the cover firmly.

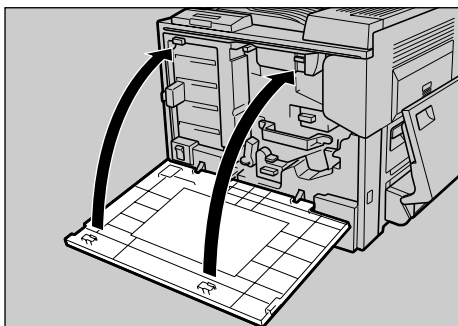
- 17** If the Duplex Unit is installed, close it.



ZESH405J

- 18** Close the Bypass Tray.

- 19** Close the front cover slowly by pushing the two areas on the left and right.



ZESH406J

- 20** Turn on the power switch.

- 21** Perform the maintenance reset.

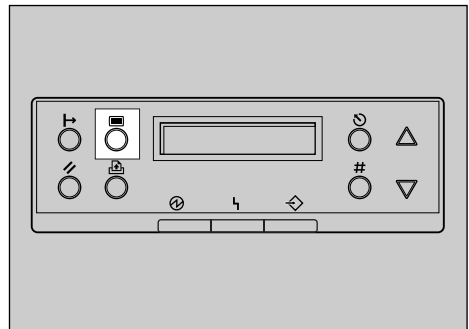
When "Replace Fuser Oil Unit" appears on the panel display

- 1** Press and hold **[Escape]** for over five seconds. The message disappears and maintenance reset start automatically.

Replace
Fuser Oil Unit

When "Replace Fuser Oil Unit soon" appears on the panel display

- 1** Press **[Menu]**.



ZDJS001J

"Menu" appears on the panel display.

- 2** Press **[▲]** or **[▼]** to show "Maintenance" on the panel display, and then press **[OK]**.

Menu:
Maintenance

"Maintenance" appears on the panel display.

-
- ③ Press **[▲]** or **[▼]** to show "Maint. Reset" on the panel display, and then press **[OK]**.

```
Maintenance:
  Maint. Reset
```

- ④ Press **[▲]** or **[▼]** to show "Fuser Oil Unit" on the panel display, and then press **[OK]**.

```
Maint. Reset
  Fuser Oil Unit
```

The message appears on the panel display.

```
Fuser Oil Unit
Press # to Reset
```

- ⑤ Press **[OK]**.

After a few seconds, the "Maint. Reset" menu will return.

- ⑥ Press **[On Line]**.

Return to normal display.

```
Ready
```

 **Note**

- If you hear a noise while printing after replacing the fuser oil unit, the seals ① and ② may not have been removed. Go back to step ① to confirm that the seals are removed.